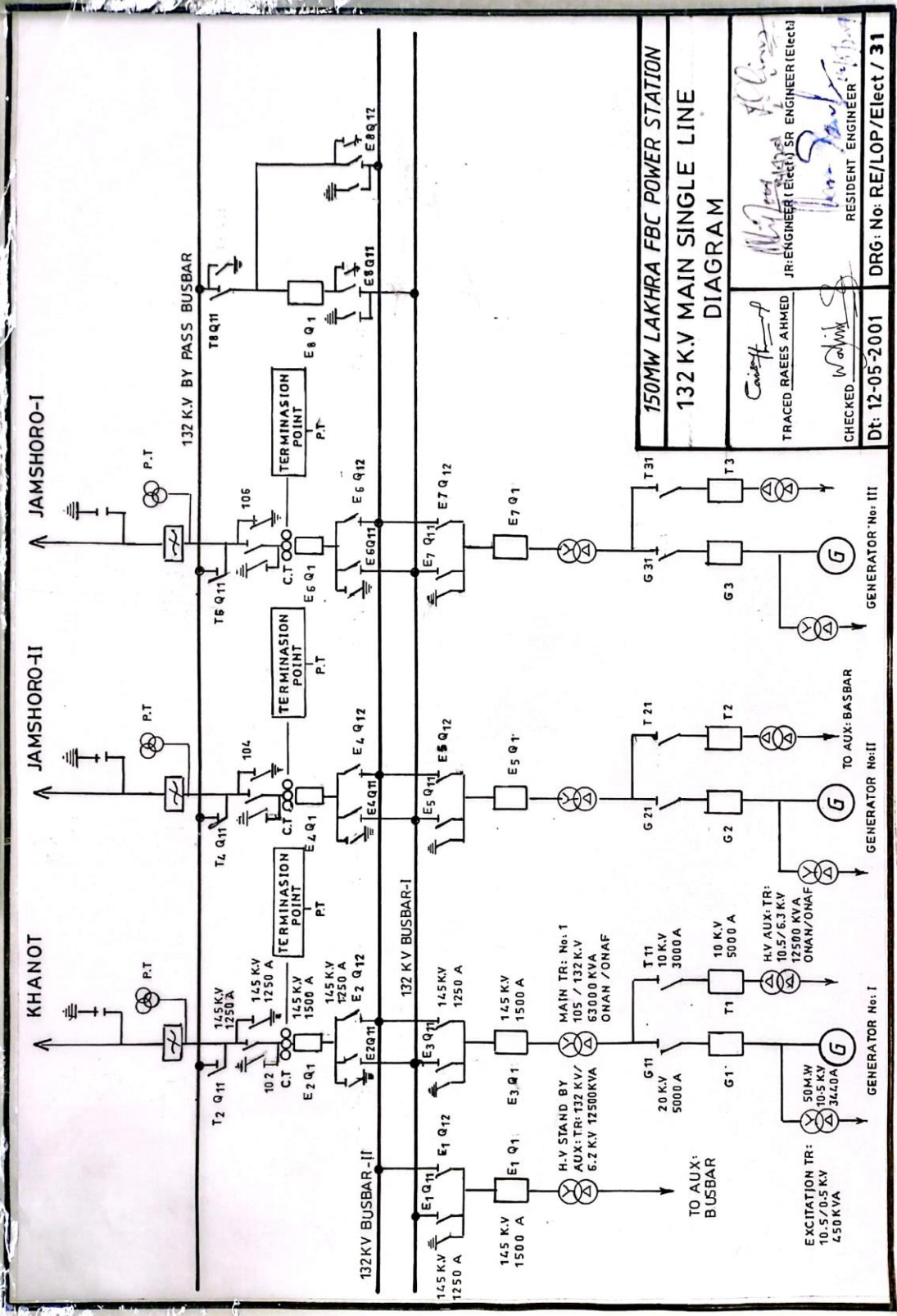


APPENDIX – 02:
SINGLE LINE DIAGRAMS

LOT 1: LAKHRA POWER PLANT (150 MW)



150MW LAKHRA FBC POWER STATION
132 KV MAIN SINGLE LINE
DIAGRAM

TRACED RAJES AHMED
 SR-ENGINEER (Elect)

[Signature]
 SR ENGINEER (Elect)

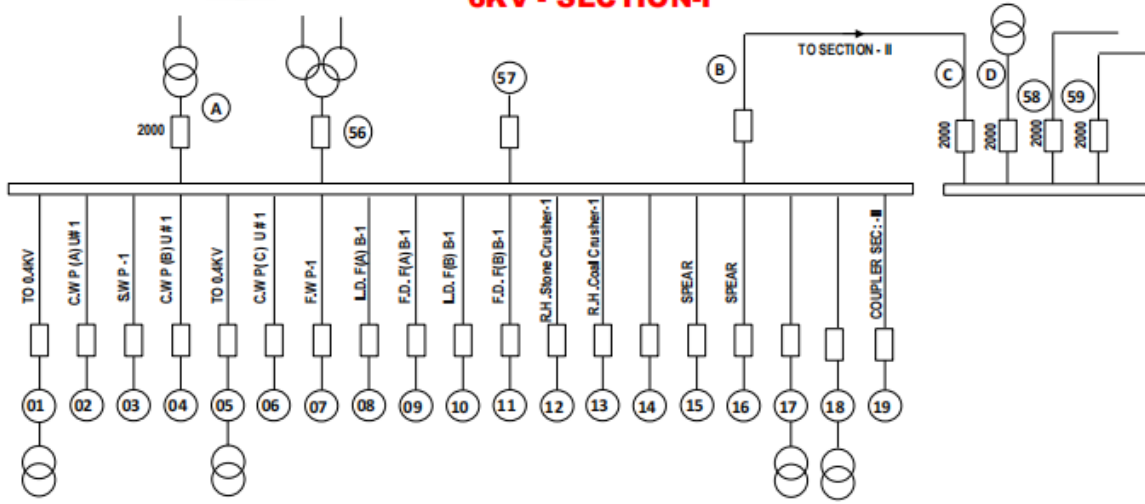
[Signature]
 RESIDENT ENGINEER

Dt: 12-05-2001
 DRG: No: RE/LOP/Elect / 31



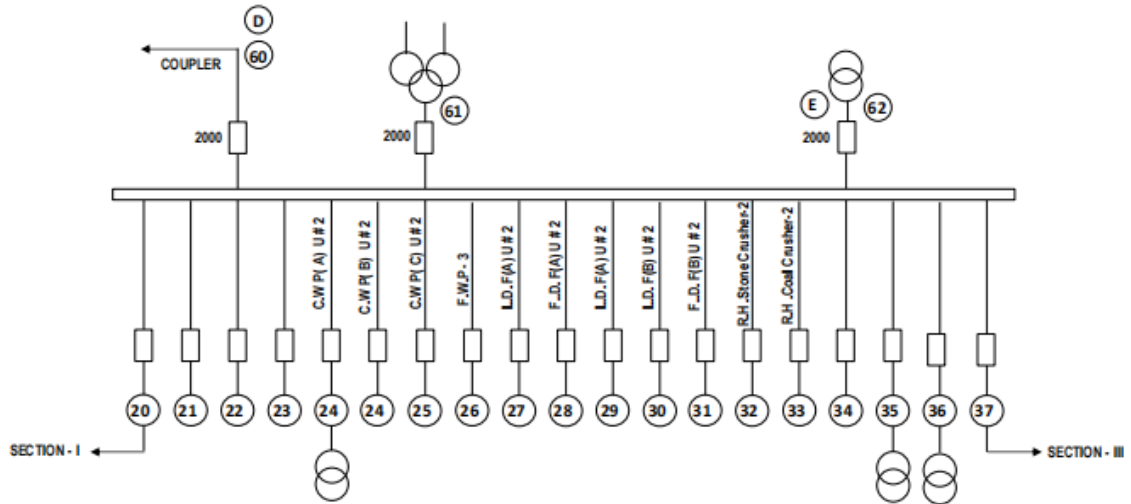
LAKHRA POWER GENERATION CO. LTD.

6KV - SECTION-I





LAKHRA POWER GENERATION CO. LTD.
6KV - SECTION-II





LAKHRA POWER GENERATION CO. LTD.
6KV - SECTION-III

